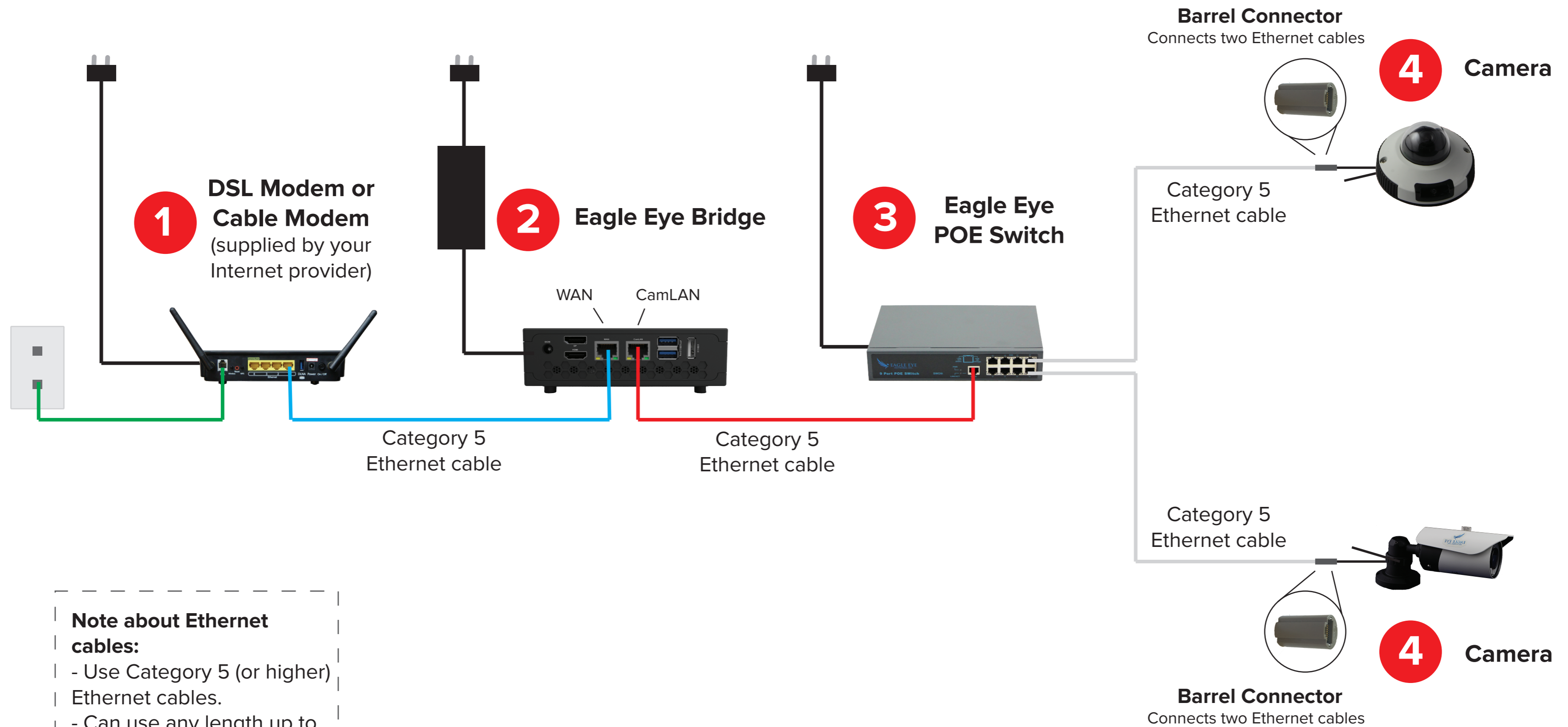


Eagle Eye Installation Instructions



Note about Ethernet cables:

- Use Category 5 (or higher) Ethernet cables.
- Can use any length up to 100 meters.