

Eagle Eye Camera DB14

4MP Dedicated Low/Medium Speed
LPR Bullet



CAMERA

Pixels	4MP
Resolutions	2592×1520, 2304×1296, 1920×1080, 1280×720 @50/60 fps
Lens	8-32mm P-Iris Motorized Lens
LED Illumination Range	Up to 70m (229ft)
Pan/Tilt/Rotation Range	Pan: 0° ~ 355°, Tilt: 0° ~ 80°, Rotation: 0° ~ 360°
Dynamic Range	True WDR
Digital Noise Reduction	2D/3D DNR
Digital Image Stabilization	Automatic
Applications	Built to support EEN LPR applications, an excellent choice for Gate or Street deployments for vehicle speed up to 40 MPH or 60 KMPH
Image Sensor	1/1.8" Progressive Scan CMOS
Iris	Fixed
Shutter Speed	Auto/Manual, 1/5 to 1/100,000s
Min Illumination	Color: 0.0025 Lux @ (F1.2, AGC ON); B/W: 0 Lux with IR

DIGITAL CAPABILITIES

Video Compression	H.265, H.264, and MJPEG
Image Settings	Rotation, saturation, brightness, contrast, sharpness
Corridor Mode	Yes

SETUP

Eagle Eye Cloud VMS	Preconfigured with secure password, plug and play
Camera Settings	Fully integrated with Eagle Eye Cloud VMS
Cyber Secure	Eagle Eye Verified

INTERFACE

Ethernet	1 Ethernet (10/100 Base-T) RJ-45 Connector
Audio	1ch Input, 1ch Output, Built-in Mic, Built-in Speaker

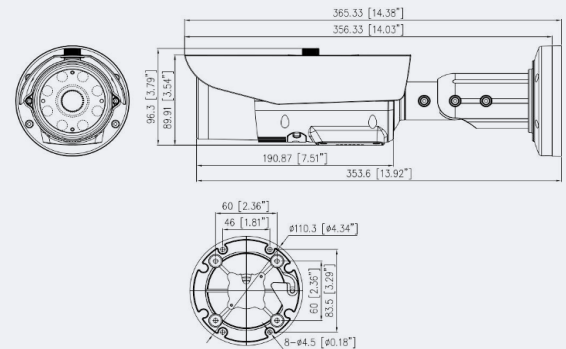
PHYSICAL/POWER

Power	DC12V (-15%~+20%)/POE (IEEE 802.3af)
Power Consumption	Max 12 W
Operating Temperature	-40°C to 60°C (-40°F to 140°F)
Operating Humidity	Less than 90% RH
Ingress Protection	IP66, IK10
Approvals	CE/FCC
Dimensions	227.7 × 110 × 80 mm (8.96 × 4.33 × 3.15 inch)
Weight	0.82 kg (1.81 lb)
Housing	Metal

Eagle Eye DB14 will be the recommended camera for LPR applications. The camera features a large 1/1.8 inch sensor to provide better sensitivity in varying conditions with different brightness levels.

Key features

- 1/1.8" Sony Sensor for superior low-light image quality
- Specialized AI ISP for better bitrate control and image consistency
- Gen 3 IR with Smart Illumination (70m) to optimize nighttime LPR performance
- 8-32m P-Iris Motorized Lens
- 4MP max resolutions up to 60fps



EAGLE EYE PART NUMBERS

EN-CDUB-014a	Eagle Eye Camera DB14 4Mpix, 8-32mm Moto Lens, NDAA, Smart IR 70m, Audio/I/O, I/O, POE, WDR, SDCard, IP66, IK10
EN-RRC01	Eagle Eye Extended Warranty and Rapid Replacement
EN-CABX-004	Eagle Eye Camera Low Profile Junction Box BX004
EN-CACM-002	Eagle Eye Camera Corner Mount CM002
EN-CAPM-002	Eagle Eye Camera Pole Mount PM002