

# Eagle Eye Camera DX02

20MP 360 Panoramic Camera (4 x 5MP)



## CAMERA

Pixels	20MP Max (4 x 5MP)
Resolutions	2592 × 1944, 2592 × 1520, 1920 × 1080, 1280 × 720 @ 25/30fps
Lens	2.7 to 13.5 mm
LED Illumination Range	Up to 40 m (131.2 ft)
Pan/Tilt/Rotation Range	Pan: -180° to 180°, Tilt: 0° to 130°, Rotation: 0° to 355°
Dynamic Range	True WDR
Digital Noise Reduction	2D/3D DNR
Digital Image Stabilization	Automatic
Applications	Ideal for monitoring wide areas with minimal infrastructure. It excels in securing building exteriors, corners, hallway and road intersections, parking lots, public spaces, retail environments, and large facilities like campuses and industrial sites.
Image Sensor	4 × 1/2.8" Progressive Scan CMOS
Iris	DC- Iris
Shutter Speed	Auto/Manual, 1/5 to 1/20,000s
Min Illumination	Color: 0.005 Lux @ (F1.6, AGC ON) B/W: 0 Lux with IR

## DIGITAL CAPABILITIES

Video Compression	H.265, H.264, and MJPEG
Image Settings	Rotation, saturation, brightness, contrast, sharpness
Corridor Mode	Yes

## SETUP

Eagle Eye Cloud VMS	Preconfigured with secure password, plug and play
Camera Settings	Fully integrated with Eagle Eye Cloud VMS
Cyber Secure	Eagle Eye Verified

## INTERFACE

Ethernet	1 Ethernet (10/100 Base-T) RJ-45 Connector
Audio	Audio Interface 1ch Input, 1ch Output, Built-in Mic

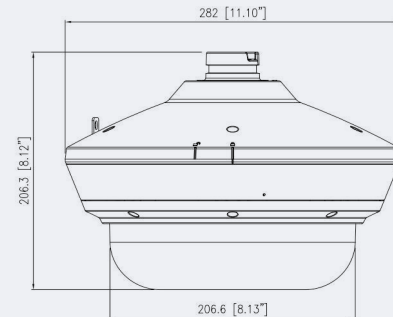
## PHYSICAL/POWER

Power	DC12V (-15% to +25%)/PoE+ (802.3at)
Power Consumption	Max 20 W
Operating Temperature	-40°C to 60°C (-40°F to 140°F)
Operating Humidity	Less than 90% RH
Ingress Protection	IP67, IK10
Approvals	CE-EMC/FCC
Dimensions	Φ282 × 206.3 mm (Φ11.1 × 8.12 inch)
Weight	4 kg (8.82 lb)
Housing	Aluminum alloy body, bubble: plastic

This 360° panoramic security camera features four independently adjustable 5MP camera heads, delivering unparalleled coverage with up to four separate video streams—all through a single network cable and IP address for streamlined installation and cost efficiency.

## Key features

- Monitor multiple areas with a single device, reducing the need for multiple conventional cameras
- Each camera head can be independently positioned and configured
- Ideal for indoor and outdoor environments, including building corners, intersections, hallways, and roadways
- Single-cable setup lowers total cost of ownership and simplifies deployment



## EAGLE EYE PART NUMBERS

EN-CDUX-002a	Eagle Eye Camera DX02 360Deg MultiSensor 20Mpix, NDAA, 40mIR, 2.7-13.5mm MOTO lenses, AudioI/O, I/O, POE+, WDR, Mic, SDCard, IP67
EN-RRC04-1	Eagle Eye Camera L4 Ext Warranty and Rapid Replacement Monthly
EN-CABX-013	Eagle Eye Camera Large Format Junction Box BX013
EN-CACM-003	Eagle Eye Camera Corner Mount CM003
EN-CAPM-003	Eagle Eye Camera Pole Mount PM003