

Eagle Eye Wireless Magnetic Door Sensor Data Sheet

Track the status of doors, windows, and cabinets, including when they are opened or closed.

The Wireless Door Sensor is ideal for security and monitoring applications for room and building access. The sensor enclosure is water-resistant and dustproof with a rating of IP66. Notifications are sent via SMS, email, or phone call when an open/close event occurs.

Simple plug-and-play deployment

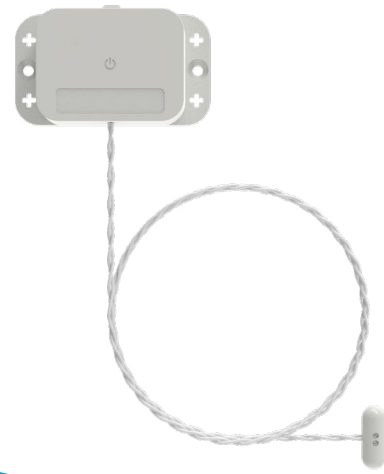
Place the small battery-powered sensor in the location or on the equipment you need to monitor. The gateway instantly identifies the sensor and establishes secure communication. No wires to connect. No software to install. Sensors are powered by 2 AAA lithium polymer batteries with an average lifespan of 3–6 Years (~3 for always closed/water present, ~6 if always open/no water present).

Secure, scalable, cloud architecture

The system is 100% cloud-managed. The gateway securely transmits sensor data to the cloud using 256-bit AES encryption. The system is scalable from a single-sensor, one-site application to multi-site enterprises with thousands of sensors.

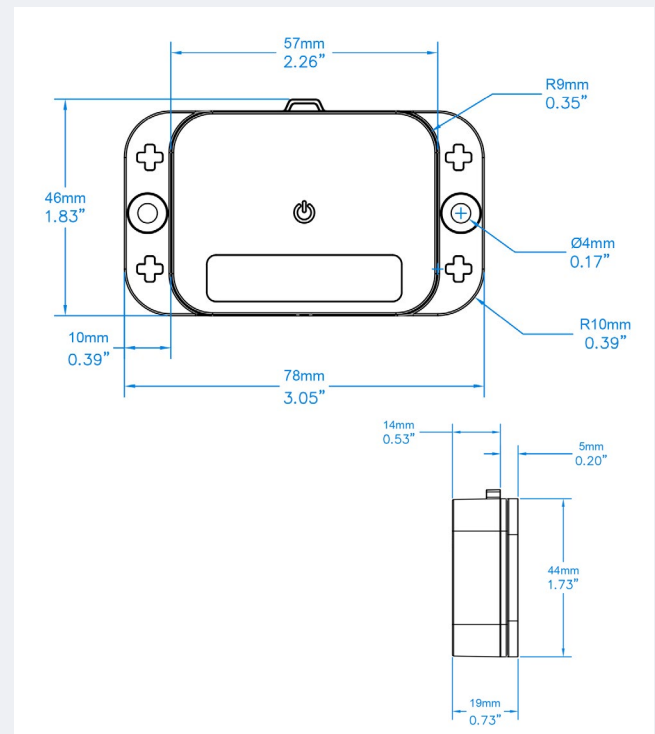
Real-time monitoring and analytics with actionable data

The Eagle Eye Cloud VMS allows real-time asset monitoring and sophisticated analysis from anywhere — whether on a computer, tablet, or smartphone. Data analytics provide operational insights and deep visibility. Eagle Eye Cloud VMS notifications can be set based on customizable thresholds and complex rules for individual sensors or sensor groups.



Applications

- ✓ Building management
- ✓ Manufacturing and production
- ✓ Restaurants and food service
- ✓ Facility monitoring
- ✓ Data centers
- ✓ Warehouses
- ✓ Greenhouses
- ✓ Cold Chain monitoring
- ✓ Transportation
- ✓ Museums



Part Number	EN-SS3-301
--------------------	------------



Operational Specifications

Power	1.8 - 3.6VDC, 0.085mW Average
Battery Type	AAA x2 Replaceable "L92" Lithium Polymer
Operating Voltage	1.8VDC - 3.6VDC
Avg. Current Consumption	40uA (Active, Open), 500uA (Command ACK), <5uA(Sleep)
Operating Temperature	-40°C to +60°C (-40°F to +140°F) defined by batteries
Operating Environment	Indoor/Outdoor, 0-95%+ RH
Avg. Battery Life	3 – 6 Years
Communication Protocol	BLE/BT5 2.4Ghz
BLE Chipset	nRF52840
TX Strength	Default +8dBm
Range	30m (100ft)
Encryption	128-Bit AES Encryption
Button Press	Click to turn on. Press and hold 2 sec to put in sleep mode.
LED	Green LED: 2 sec. blinking when turning on Green LED: 2 sec. solid when entering sleep mode
Find My Sensor	Command from Console to blink sensor LED
Weight	56g (2 oz)
Dimensions	77.5mm x 57.5mm x 44mm (2.26in. x 1.73in. x 0.73in.)
Enclosure Material	ABS PA-765+
IP Rating Sensor	IP66
Certifications	FCC ID: X8WBT840F IC ID: 4100A-BT840F CE Compliance: 2014/35/EU, 2014/53/EU, 2014/30/EU
EMC Compliance	FCC Part 15 Class B
Flammability Rating	UL94-0V
Warranty	2-years

Measurement Specifications

Output	Binary, open or closed
Inspection Rate	Continuous

Only available in the United States and Canada.

Eagle Eye Sensors Gateway

The Eagle Eye Sensors Gateway collects encrypted data from sensors located within the specified communication range (30-60m/ 100-200ft) and then transmits the data to the cloud through either Ethernet or Wi-Fi. The gateway auto-detects all sensors within range and will immediately establish secure communication without any user configuration or setup. Each gateway can support up to 150 sensors.

Eagle Eye Sensors Console

All sensor data is automatically logged and stored in the cloud. The Eagle Eye Sensors Console in the VMS is configured to monitor and track all sensor data in the cloud. Multiple thresholds and alerts can be set separately for each sensor. An API allows integration with other data sources and third-party data analytics tools.

LEARN MORE
Visit our website
EEN.COM

UNITED STATES
+1-512-473-0500
sales@een.com

LATIN AMERICA/CARIBBEAN
+52 55 8526 4926
LATAMsales@een.com

EUROPE
+31 20 26 10 460
EMEAsales@een.com

ASIA-PACIFIC
+81-3-6868-5527
APACsales@een.com